

### GENERAL FEATURES

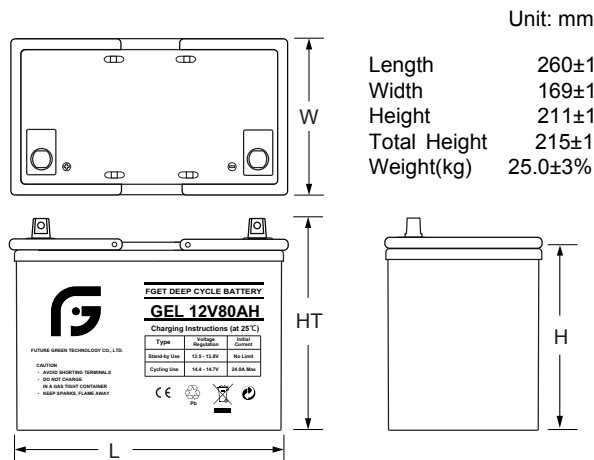
- **GEL Technology** - DG batteries comes from the internationally superior Gel technology. It is ideal for standby or frequent cyclic discharge applications under extreme environments.
- **Long Life Time** - By using strong grids, high purity lead and patented Gel electrolyte, the DGseries offers excellent recovery after deep discharge under frequent cyclic discharge use, and can deliver 400 cycles at 100% DOD.
- **Maintenance-Free, Non-Spillable** - Proven VRLA technology guarantees safe operation without maintenance and 'non- restricted article' status for transportation.
- **Excellent Recovery from Deep Cycle** - Unique technical processes are used into the grid alloy and electrolyte additive, in this case the battery can be recharged after being over-discharged.
- **Designed-In Reliability** - Cutting-edge manufacturing and process control combined with meticulous quality assurance procedures guarantee consistent and dependable performance

### PERFORMANCE SPECIFICATIONS

|  |  |   |
|--|--|---|
| <b>Nominal Voltage</b>                           | 12V(6 cells)   |   |
| <b>Design Floating Life @25°C</b>                | 12 Years   |   |
| <b>Nominal Capacity @25°C</b>                    | 20 hour rate   | 80.00Ah   |
|  | 4.00A to 10.50V  |   |
|  | 10 hour rate   | 70.90Ah   |
|  | 7.09A to 10.50V  |   |
| <b>Internal Resistance</b>                       | 5 hour rate  | 63.50Ah   |
|  | 12.70A to 10.20V   |   |
|  | 3 hour rate  | 55.20Ah   |
|  | 18.40A to 9.90V  |   |
| <b>Energy Density (20-hr. rate)</b>              | 1 hour rate  | 44.70Ah   |
|  | 44.70A to 9.60V  |   |
|  | Full Charged Battery@25°C  | <7.0mΩ  |
| <b>Specific Energy (20-hr. rate)</b>             | 100.22W-h/l  |   |
| <b>Shelf Life (nominal capacity at 20°C)</b>     | 1 Month  | 97%   |
|  | 3 Months   | 91%   |
|  | 6 Months   | 83%   |
| <b>Max Short-Duration Discharge Current</b>      | 10 Sec   | 450.0A  |
|  | <b>Standby Use Charge (Constant Voltage) @25°C</b>                 | Initial Charging Current<br>Less than 24.0A<br>Voltage 13.6-13.8V |
| <b>Cycle Use Charge (Constant Voltage) @25°C</b> | Initial Charging Current<br>Less than 24.0A<br>Voltage 14.2-14.4 V |   |
|  | <b>Operating Temperature Range</b>                                 | Charge  |
| Discharge  |  | -40°C to 60°C   |

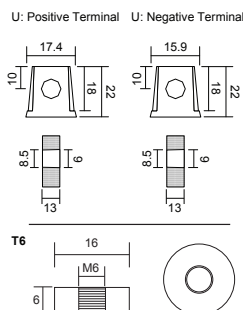


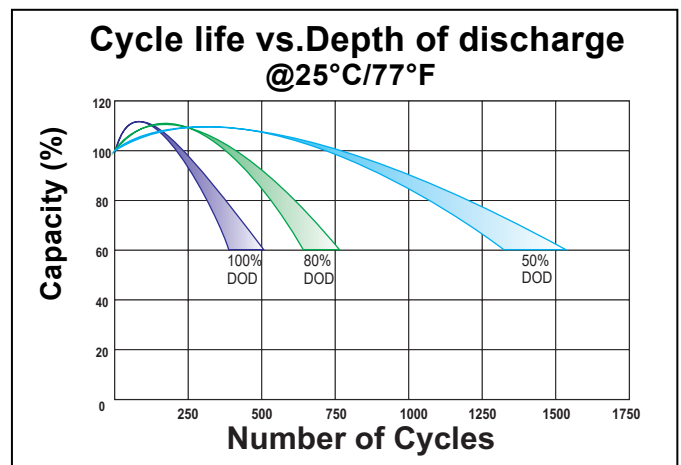
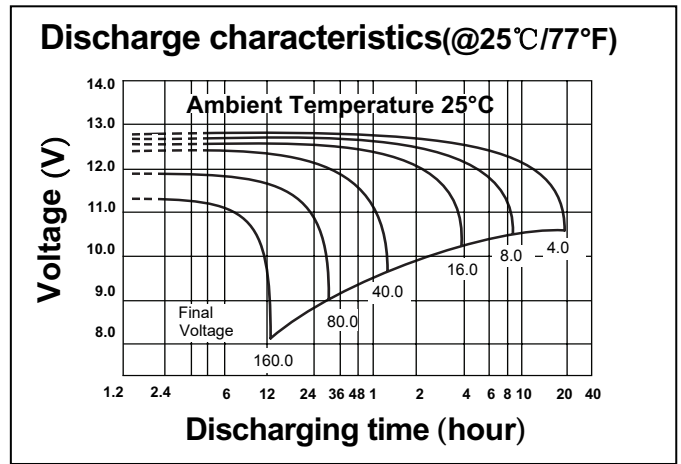
### GENERAL FEATURES mm



### TERMINALS mm

- U: Universal terminals: Heavy-duty posts with 'nut & bolt' fasteners
- T6: Threaded insert w. 6 mm stud fastener





**CONSTANT CURRENT DISCHARGE RATINGS (Amperes at 25°C)**

| F. V/Time | 10MIN | 15MIN | 30MIN | 1HR  | 2HR  | 3HR  | 4HR  | 5HR  | 8HR  | 10HR | 20HR |
|-----------|-------|-------|-------|------|------|------|------|------|------|------|------|
| 9.60V     | 148.3 | 116.0 | 76.3  | 44.7 | 26.7 | 18.5 | 15.3 | 12.9 | 8.80 | 7.30 | 4.40 |
| 10.0V     | 141.1 | 113.7 | 75.0  | 44.5 | 26.5 | 18.4 | 15.2 | 12.8 | 8.73 | 7.23 | 4.24 |
| 10.2V     | 136.1 | 111.9 | 74.4  | 44.1 | 26.3 | 18.3 | 15.2 | 12.7 | 8.65 | 7.16 | 4.12 |
| 10.5V     | 127.1 | 107.8 | 74.5  | 43.7 | 26.1 | 18.2 | 15.0 | 12.6 | 8.58 | 7.09 | 4.00 |
| 10.8V     | 117.3 | 100.5 | 74.0  | 42.7 | 25.7 | 17.7 | 14.7 | 12.3 | 8.44 | 7.02 | 3.76 |
| 11.1V     | 106.0 | 91.2  | 69.9  | 40.5 | 24.5 | 16.9 | 14.0 | 11.8 | 8.08 | 6.81 | 3.60 |