



GENERAL FEATURES

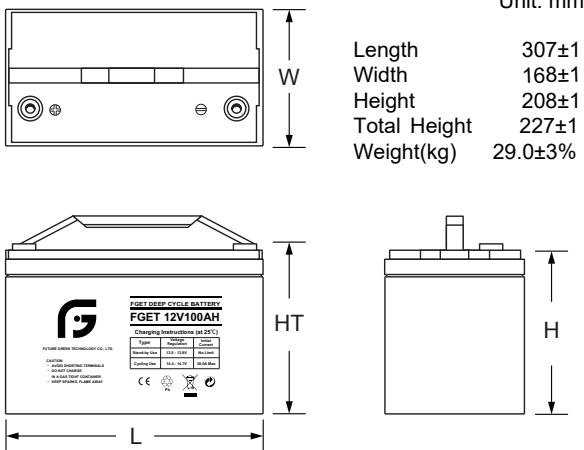
- **Long Service Life** - Thick plate design and efficient gas recombination yield a service life expectancy of up to 10 years in standby mode.
- **Low Internal Resistance** - Superb high-rate discharge characteristics ensure reliable performance in UPS and Telecom applications.
- **Maintenance-Free, Non-Spillable** - Proven VRLA technology guarantees safe operation without maintenance and 'non- restricted article' status for transportation.
- **Low Self-Discharge** - Lead-calcium alloy grids and use of high purity lead account for superior shelf-life characteristics permitting storage for extended periods of time.
- **Designed-In Reliability** - Cutting-edge manufacturing and process control combined with meticulous quality assurance procedures guarantee consistent and dependable performance



PERFORMANCE SPECIFICATIONS

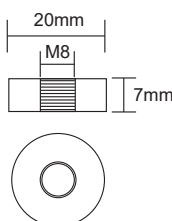
Nominal Voltage	12V(6 cells)	
Design Floating Life @25°C	12 Years	
Nominal Capacity @25°C	20 hour rate 5.00A to 10.50V	100.00Ah
	10 hour rate 8.86A to 10.50V	88.60Ah
	5 hour rate 15.90A to 10.20V	79.50Ah
Internal Resistance	3 hour rate 23.00A to 9.90V	69.00Ah
	1 hour rate 55.90A to 9.60V	55.90Ah
	Full Charged Battery@25°C	<7.5mΩ
Energy Density (20-hr. rate)	96.68W-h/l	
Specific Energy (20-hr. rate)	40.00W-h/kg	
Shelf Life (nominal capacity at 20°C)	1 Month	97%
	3 Months	91%
	6 Months	83%
Max.Discharge Current@25°C	7 Min.	300.0A
Max Short-Duration Discharge Current	10 Sec	750.0A
Standby Use Charge (Constant Voltage) @25°C	Initial Charging Current Less than 30.0A Voltage 13.6-13.8V	
	Cycle Use Charge (Constant Voltage) @25°C Initial Charging Current Less than 30.0A Voltage 14.2-14.4 V	
Operating Temperature Range	Charge	-20°C to 50°C
	Discharge	-40°C to 60°C

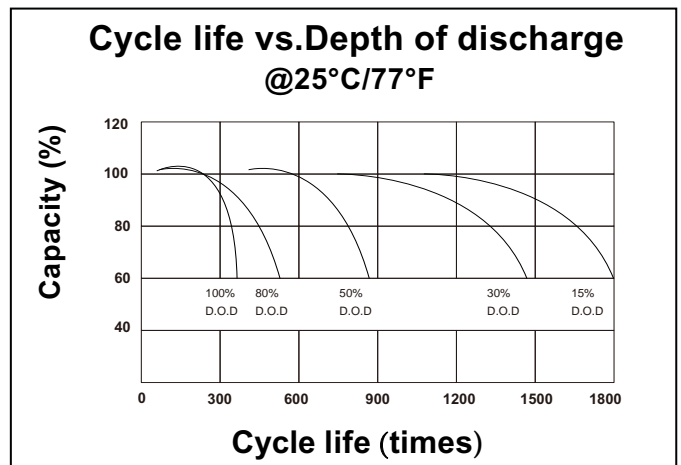
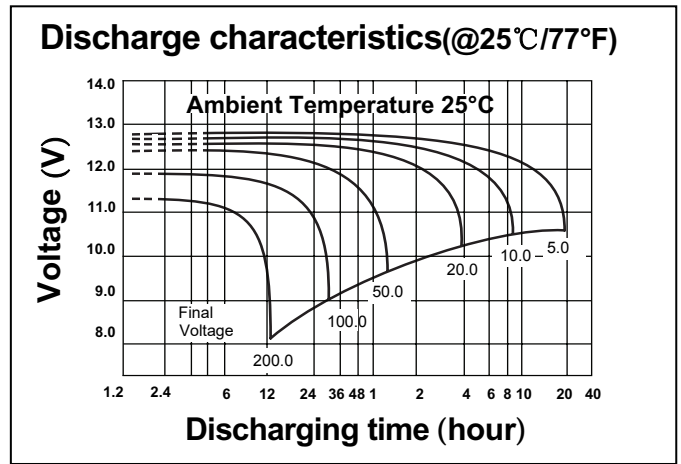
GENERAL FEATURES mm



TERMINALS mm

- T11 - THREADED INSERT - 8mm STUD





CONSTANT CURRENT DISCHARGE RATINGS (Amperes at 25°C)

F.V/Time	10MIN	15MIN	30MIN	1HR	2HR	3HR	4HR	5HR	8HR	10HR	20HR
9.60V	185.4	145.0	95.4	55.9	33.4	23.1	19.1	16.1	11.0	9.12	5.50
10.0V	176.4	142.1	93.8	55.6	33.2	23.0	19.0	16.0	10.9	9.03	5.30
10.2V	170.1	139.8	93.0	55.1	32.9	22.8	18.9	15.9	10.8	8.95	5.15
10.5V	158.9	134.7	93.2	54.6	32.7	22.7	18.8	15.7	10.7	8.86	5.00
10.8V	146.6	125.6	92.5	53.3	32.1	22.1	18.3	15.4	10.6	8.77	4.70
11.1V	132.5	114.0	87.4	50.7	30.7	21.1	17.4	14.8	10.1	8.51	4.50