



GENERAL FEATURES

- **Long Service Life** - Thick plate design and efficient gas recombination yield a service life expectancy of up to 10 years in standby mode.
- **Low Internal Resistance** - Superb high-rate discharge characteristics ensure reliable performance in UPS and Telecom applications.
- **Maintenance-Free, Non-Spillable** - Proven VRLA technology guarantees safe operation without maintenance and 'non- restricted article' status for transportation.
- **Low Self-Discharge** - Lead-calcium alloy grids and use of high purity lead account for superior shelf-life characteristics permitting storage for extended periods of time.
- **Designed-In Reliability** - Cutting-edge manufacturing and process control combined with meticulous quality assurance procedures guarantee consistent and dependable performance

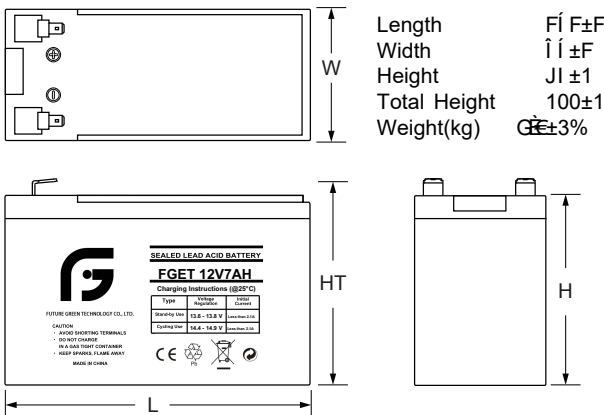
PERFORMANCE SPECIFICATIONS

Nominal Voltage	12V(6 cells)	
Design Floating Life @25°C	12 Years	
Nominal Capacity @25°C	20 hour rate	7.00Ah
	0.35A to 10.50V	
	10 hour rate	6.80Ah
	0.68A to 10.50V	
	5 hour rate	6.25Ah
Internal Resistance	1.25A to 10.20V	
	3 hour rate	5.67Ah
	1.89A to 9.90V	
Energy Density (20-hr. rate)	1 hour rate	4.47Ah
	4.47A to 9.60V	
Specific Energy (20-hr. rate)	Full Charged Battery@25°C	<30mΩ
		85.58W-h/l
Shelf Life (nominal capacity at 20°C)		42.00W-h/kg
	1 Month	97%
	3 Months	91%
Max.Discharge Current@25°C	6 Months	83%
	7 Min.	21.0A
Max Short-Duration Discharge Current		
	10 Sec	70.0A
Standby Use Charge (Constant Voltage) @25°C	Initial Charging Current	
	Less than 2.10A	
Cycle Use Charge (Constant Voltage) @25°C	Voltage 13.6 - 13.8V	
	Initial Charging Current	
Operating Temperature Range	Less than 2.10A	
	Voltage 14.4 - 14.9V	
	Charge	-20°C to 50°C
	Discharge	-40°C to 60°C

GENERAL FEATURES

mm

Unit: mm



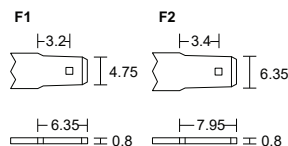
TERMINALS

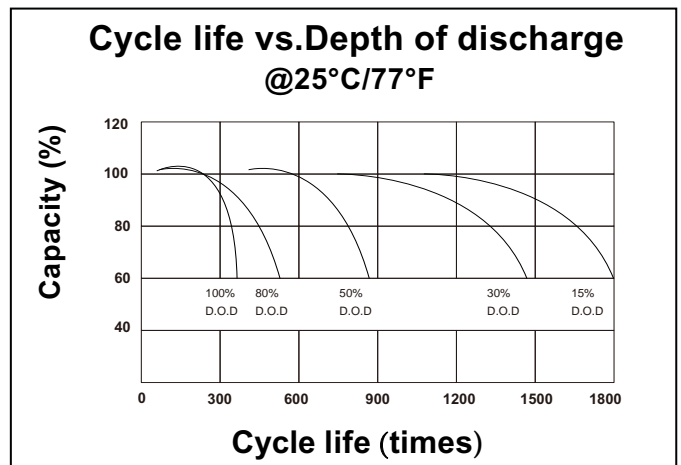
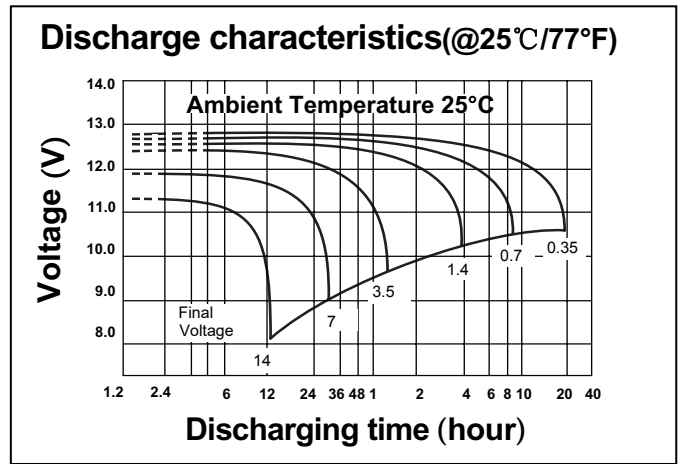
mm

- F1 - Quick disconnect tabs, 0.187" x 0.032" - Mate with AMP. INC. FASTON "187" series

— OR —

- F2 - Quick disconnect tabs, 0.250" x 0.032" - Mate with AMP. INC FASTON "250" series





CONSTANT CURRENT DISCHARGE RATINGS (Amperes at 25°C)

F.V/Time	5MIN	10MIN	15MIN	30MIN	1HR	2HR	3HR	4HR	5HR	8HR	10HR	20HR
1.60V	26.92	17.74	13.22	7.650	4.465	2.634	1.915	1.525	1.287	0.860	0.701	0.364
1.65V	25.95	17.21	12.87	7.482	4.382	2.596	1.890	1.506	1.273	0.852	0.694	0.362
1.70V	24.68	16.52	12.42	7.260	4.273	2.545	1.856	1.481	1.253	0.840	0.685	0.358
1.75V	23.06	15.62	11.82	6.969	4.129	2.477	1.811	1.447	1.226	0.825	0.673	0.352
1.80V	21.01	14.47	11.06	6.593	3.941	2.388	1.752	1.403	1.192	0.804	0.658	0.346
1.85V	18.49	13.04	10.10	6.111	3.698	2.272	1.674	1.345	1.146	0.777	0.637	0.336